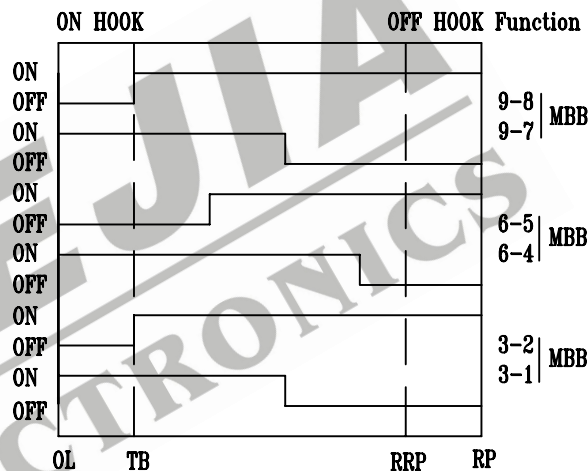
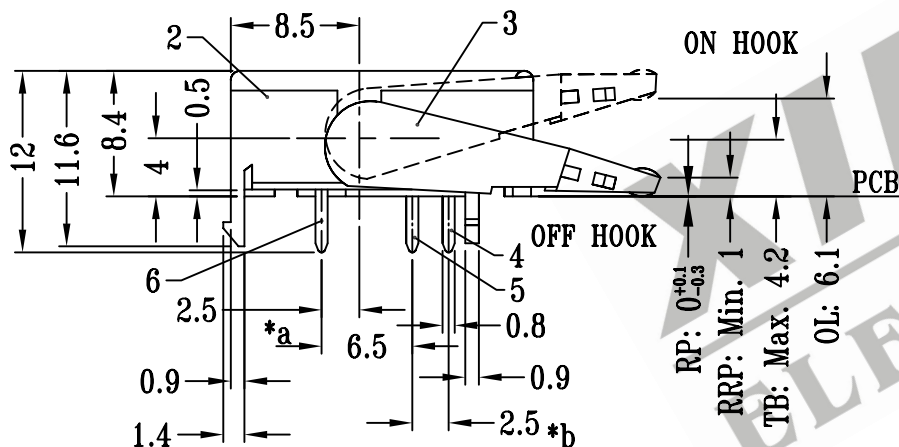
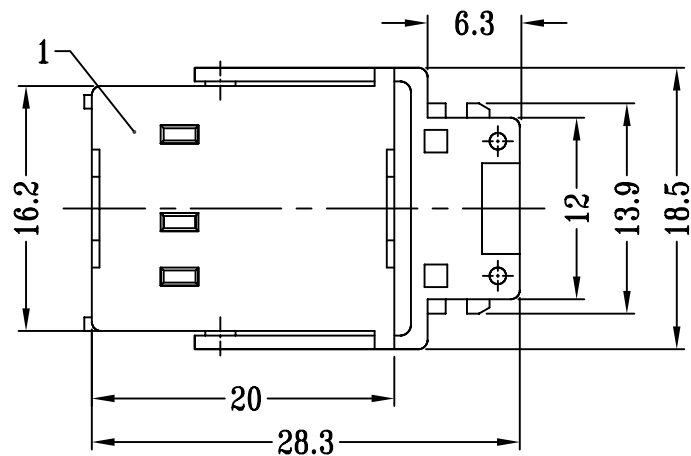
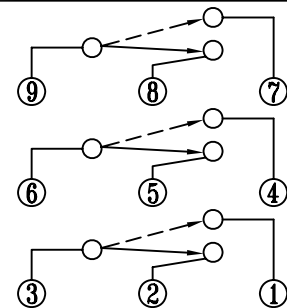


CAD FILE:

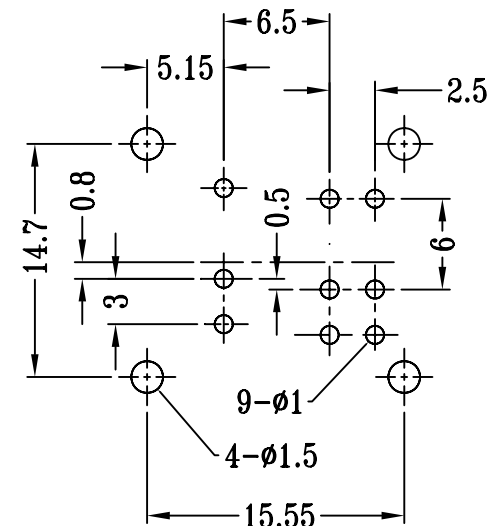


FEATURES

OPERATING FORCE: 60±20gf  
90±30gf



SCHEMATIC



P.C.B LAYOUT

注:带\*表示关键尺寸(2个)

8	SPRING	20# SUS	1	TEMPER	TOLERANCE UNLESS SPECIFIED	SHENZHEN XIEJIA ELECTRONICS CO.,LTD.				
7	CONTACT POINT	BRASS	3	Au PLATED OVER Ni PLATED						
6	TERMINAL	Ti-Cu STRIP	3	Ag PLATED	WITHIN: 1.5±0.1mm OVER : 1.5±0.2mm	ISSUE	DATE	DESCRIPTIONS OF REVISION		APPD.
5	TERMINAL	BRASS STRIP	3	Ag PLATED						
4	TERMINAL	BRASS STRIP	3	Ag PLATED	TITLE : HOOK SWITCH	UNIT : mm	DRWG NO.: XJ-DR-HS32L05-00			
3	KNOB	NYLON+30%GLASS	1	WHITE						
2	COVER	PBT+30%GLASS	1	BLACK	MODEL: HS-32L05	SCALE: 2 : 1	DWN.	ZHOUYU	2001-11-8	
1	CASE	PBT+30%GLASS	1	BLACK			CHK'D	FANGYING	2001-11-8	
NO.	PARTS	MATERIALS	Q'TY	FINISH	ALL MATERIALS MUST BE COMPLIANT TO ROHS		APPD.	KANGXINAN	2001-11-8	